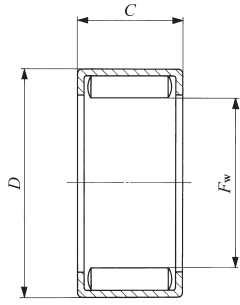


TLA...Z

קוטר ציר [מ"מ]	מק"ט	מידות [מ"מ]			עומסים [kgf]		טבעת פנימית IRT	משקל [גרם]
		Fw	D	C	דינמי C	סטטי Co		
8	TLA 810 Z	8	12	10	340	370		3.1
9	TLA 910 Z	9	13	10	360	410		3.4
	TLA 912 Z	9	13	12	450	560		4
10	TLA 1010 Z	10	14	10	390	480	IRT 710	3.7
	TLA 1012 Z	10	14	12	500	660	IRT712	4.4
	TLA 1015 Z	10	14	15	650	920	IRT 715	5.5
12	TLA 1210 Z	12	16	10	440	590	IRT 810	4.3
	TLA 1212 Z	12	18	12	650	760	IRT 812	8.6
13	TLA 1312 Z	13	19	12	690	830	IRT 1012	9.2
14	TLA 1412 Z	14	20	12	720	900	IRT 1012-2	9.8
	TLA 1416 Z	14	20	16	910	1220	IRT 1016-2	13.2
15	TLA 1512 Z	15	21	12	750	970	IRT 1212	10.4
	TLA 1516 Z	15	21	16	950	1310	IRT 1216	14
	TLA 1522 Z	15	21	22	1390	2130	IRT 1222	19.1
16	TLA 1612 Z	16	22	12	780	1040	IRT 1212-1	10.9
	TLA 1616 Z	16	22	16	990	1400	IRT 1216-1	14.8
	TLA 1622 Z	16	22	22	1440	2280	IRT 1222-1	20
17	TLA1712Z	17	23	12	810	1110		11.5
18	TLA 1812 Z	18	24	12	840	1180	IRT1512	12
	TLA 1816 Z	18	24	16	1060	1590	IRT 1516	16.2
20	TLA 2012 Z	20	26	12	890	1320		13.2
	TLA 2016 Z	20	26	16	1130	1780	IRT 1716	17.8
	TLA 2020 Z	20	26	20	1480	2520	IRT 1720	22
	TLA 2030 Z	20	26	30	2270	4380	IRT1730	33
22	TLA 2212 Z	22	28	12	940	1450		15.6
	TLA 2216 Z	22	28	16	1190	1960	IRT 1716-2	21.5
	TLA 2220 Z	22	28	20	1560	2780	IRT1720-2	26.5
25	TLA 2512 Z	25	32	12	960	1410		19.7
	TLA 2516 Z	25	32	16	1300	2090		26
	TLA 2520 Z	25	32	20	1720	2980	IRT 2020-1	32
	TLA 2526 Z	25	32	26	2300	4330	IRT 2026-1	41.5
	TLAW 2538 Z	25	32	38	2950	5970	IRT 2038-1	58.5
28	TLA 2816 Z	28	35	16	1410	2390		28.5
	TLA 2820 Z	28	35	20	1860	3420	IRT 2220-1	35.5
30	TLA 3012 Z	30	37	12	1060	1700		23.5
	TLA 3016 Z	30	37	16	1430	2500		30.5
	TLA 3018 Z	30	37	18	1670	3040		34.5
	TLA 3020 Z	30	37	20	1890	3580	IRT 2520-1	38
	TLA 3026 Z	30	37	26	2530	5190	IRT 2526-1	49
	TLAW 3038 Z	30	37	38	3250	7160	IRT 2538-1	69

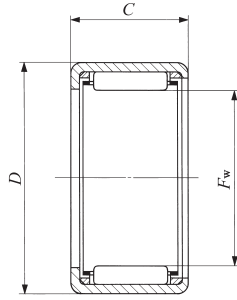
הערות: 1. טבלת מידות לטבעת פנימית IRT בעמ' 43-1

2. ניתן לקבל TLAM - קצה סגור



YB...YBH

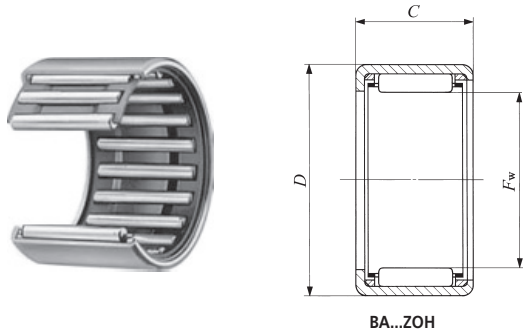
קוטר ציר [אינץ']	מק"ט	מידות						עומסים [kgf]		טבעת פנימית	משקל [גרם]
		Fw		D		C		דינמי	סטטי		
		אינץ'	מ"מ	אינץ'	מ"מ	אינץ'	מ"מ	C	Co		
3/16	YB34	3/16	4.762	11/32	8.731	1/4	6.35	280	270	-	1.6
1/4	YB45	1/4	6.35	7/16	11.112	5/16	7.92	450	500	-	3.2
	YB47	1/4	6.35	7/16	11.112	7/16	11.13	640	780	-	4.6
5/16	YB55	5/16	7.938	1/2	12.7	5/16	7.92	520	620	-	3.8
3/8	YB64	3/8	9.525	9/16	14.288	1/4	6.35	460	550	-	3.4
	YB66	3/8	9.525	9/16	14.288	3/8	9.52	710	960	-	5.3
	YB68	3/8	9.525	9/16	14.288	1/2	12.7	940	1390	-	7.2
	YB610	3/8	9.525	9/16	14.288	5/8	15.88	1160	1810	-	9.1
7/16	YB78	7/16	11.112	5/8	15.875	1/2	12.7	1030	1620	-	8.2
	YBH78	7/16	11.112	11/16	17.462	1/2	12.7	1280	1610	-	10.5
1/2	YB84	1/2	12.7	11/16	17.462	1/4	6.35	540	730	-	4.3
	YB86	1/2	12.7	11/16	17.462	3/8	9.52	830	1280	-	6.7
	YB87	1/2	12.7	11/16	17.462	7/16	11.13	970	1560	-	7.9
	YB88	1/2	12.7	11/16	17.462	1/2	12.7	1110	1850	IRB 58	9.1
	YB810	1/2	12.7	11/16	17.462	5/8	15.88	1360	2420	-	11.5
	YB812	1/2	12.7	11/16	17.462	3/4	19.05	1610	2990	-	13.9
	YBH810	1/2	12.7	3/4	19.05	5/8	15.88	1660	2400	-	16
	9/16	YB98	9/16	14.288	3/4	19.05	1/2	12.7	1180	2080	IRB 68
	YB910	9/16	14.288	3/4	19.05	5/8	15.88	1450	2720	-	12.7
	YB912	9/16	14.288	3/4	19.05	3/4	19.05	1710	3360	IRB612	15.4
5/8	YB105	5/8	15.875	13/16	20.638	5/16	7.92	770	1250	-	6.7
	YB108	5/8	15.875	13/16	20.638	1/2	12.7	1250	2310	IRB68-1	11
	YB1012	5/8	15.875	13/16	20.638	3/4	19.05	1820	3740	IRB612-1	16.9
	YBH108	5/8	15.875	7/8	22.225	1/2	12.7	1530	2290	IRB68-1	15.3
11/16	YB1112	11/16	17.462	7/8	22.225	3/4	19.05	1910	4120	IRB812	18.3
3/4	YB124	3/4	19.05	1	25.4	1/4	6.35	800	1040	-	8.5
	YB128	3/4	19.05	1	25.4	1/2	12.7	1700	2750	IRB88-1	17.8
	YB1210	3/4	19.05	1	25.4	5/8	15.88	2090	3600	IRB 810-1	22.5
	YB1212	3/4	19.05	1	25.4	3/4	19.05	2460	4430	IRB812-1	27
13/16	YB136	13/16	20.638	1-1/16	26.988	3/8	9.52	1330	2050	-	14.1
	YB138	13/16	20.638	1-1/16	26.988	1/2	12.7	1780	2970	IRB 98	19.1
	YBH1310	13/16	20.638	1-1/8	28.575	5/8	15.88	2340	3700	IRB 910	30.5
	YBH1312	13/16	20.638	1-1/8	28.575	3/4	19.05	2780	4620	IRB 912	37
7/8	YB148	7/8	22.225	1-1/8	28.575	1/2	12.7	1850	3210	IRB 108	20.5
	YB1412	7/8	22.225	1-1/8	28.575	3/4	19.05	2680	5170	IRB 1012	31
	YB1416	7/8	22.225	1-1/8	28.575	1	25.4	3450	7170	IRB 1016	41.5
	YBH1412	7/8	22.225	1-3/16	30.162	3/4	19.05	2880	5000	IRB 1012	39
1	YB168	1	25.4	1-1/4	31.75	1/2	12.7	1980	3670	IRB 128	23
	YB1612	1	25.4	1-1/4	31.75	3/4	19.05	2870	5920	IRB 1212	34.5
	YB1616	1	25.4	1-1/4	31.75	1	25.4	3700	8200	IRB 1216	46.5
	YBH168	1	25.4	1-5/16	33.338	1/2	12.7	2130	3480	IRB128	29
	YBH1612	1	25.4	1-5/16	33.338	3/4	19.05	3130	5710	IRB 1212	44.5
	TBH1616	1	25.4	1-5/16	33.338	1	25.4	4070	7980	IRB 1216	59.5



BA...ZOH

קוטר ציר [אינץ']	מק"ט	מידות						עומסים [kgf]		טבעת פנימית	משקל [גרם]
		Fw		D		C		דינמי	סטטי		
		אינץ'	מ"מ	אינץ'	מ"מ	אינץ'	מ"מ	C	Co		
1/4	BA44ZOH	1/4	6.35	7/16	11.112	1/4	6.35	150	110	-	2.1
	BA45ZOH	1/4	6.35	7/16	11.112	5/16	7.92	150	110	-	2.5
	BA47ZOH	1/4	6.35	7/16	11.112	7/16	11.13	270	240	-	3.5
5/16	BA55ZOH	5/16	7.938	1/2	12.7	5/16	7.92	190	160	-	3
	BA56ZOH	5/16	7.938	1/2	12.7	3/8	9.52	270	240	-	3.6
	BA57ZOH	5/16	7.938	1/2	12.7	7/16	11.13	340	330	-	4.3
	BA59ZOH	5/16	7.938	1/2	12.7	9/16	14.27	430	440	-	5.4
3/8	BA65ZOH	3/8	9.525	9/16	14.288	5/16	7.92	230	210	-	3.5
	BA66ZOH	3/8	9.525	9/16	14.288	3/8	9.52	320	310	-	4.2
	BA68ZOH	3/8	9.525	9/16	14.288	1/2	12.7	430	470	-	5.7
	BA69ZOH	3/8	9.525	9/16	14.288	9/16	14.27	500	570	-	6.3
	BA610ZOH	3/8	9.525	9/16	14.288	5/8	15.88	580	680	-	7
7/16	BA76ZOH	7/16	11.112	5/8	15.875	3/8	9.52	340	350	-	4.8
	BA77ZOH	7/16	11.112	5/8	15.875	7/16	11.13	420	480	-	5.6
	BA78ZOH	7/16	11.112	5/8	15.875	1/2	12.7	450	520	-	6.4
	BA710ZOH	7/16	11.112	5/8	15.875	5/8	15.88	610	770	-	7.9
1/2	BA85ZOH	1/2	12.7	11/16	17.462	5/16	7.92	250	260	-	4.4
	BA86ZOH	1/2	12.7	11/16	17.462	3/8	9.52	350	390	-	5.3
	BA87ZOH	1/2	12.7	11/16	17.462	7/16	11.13	450	530	-	6.3
	BA88ZOH	1/2	12.7	11/16	17.462	1/2	12.7	480	580	IRB 58	7.2
	BA810ZOH	1/2	12.7	11/16	17.462	5/8	15.88	650	850	-	8.9
	BA812ZOH	1/2	12.7	11/16	17.462	3/4	19.05	800	1120	-	10.6
9/16	BA95ZOH	9/16	14.288	3/4	19.05	5/16	7.92	280	300	-	4.9
	BA96ZOH	9/16	14.288	3/4	19.05	3/8	9.52	390	460	-	5.9
	BA97ZOH	9/16	14.288	3/4	19.05	7/16	11.13	500	630	-	6.9
	BA98ZOH	9/16	14.288	3/4	19.05	1/2	12.7	530	690	IRB 68	7.9
	BA910ZOH	9/16	14.288	3/4	19.05	5/8	15.88	720	1010	-	9.9
	BA912ZOH	9/16	14.288	3/4	19.05	3/4	19.05	890	1320	IRB 612	11.7
5/8	BA105ZOH	5/8	15.875	13/16	20.638	5/16	7.92	290	330	-	5.3
	BA107ZOH	5/8	15.875	13/16	20.638	7/16	11.13	510	680	-	7.6
	BA108ZOH	5/8	15.875	13/16	20.638	1/2	12.7	550	740	IRB 68-1	8.7
	BA1010ZOH	5/8	15.875	13/16	20.638	5/8	15.88	750	1100	-	10.8
	BA1012ZOH	5/8	15.875	13/16	20.638	3/4	19.05	920	1430	IRB 612-1	12.9
	BA1014ZOH	5/8	15.875	13/16	20.638	7/8	22.22	1090	1790	IRB 714	15.1
	BA1016ZOH	5/8	15.875	13/16	20.638	1	25.4	1250	2130	IRB 716	17.3
11/16	BA116ZOH	11/16	17.462	7/8	22.225	3/8	9.52	460	610	IRB 86	7
	BA118ZOH	11/16	17.462	7/8	22.225	1/2	12.7	630	900	IRB 88	9.5
	BA1110ZOH	11/16	17.462	7/8	22.225	5/8	15.88	840	1330	-	11.8
	BA1112ZOH	11/16	17.462	7/8	22.225	3/4	19.05	1040	1740	IRB 812	14

OIL HOLE = OH קדח במעטפת הפח המשמש להעברת השימון



קוטר ציר [אינץ']	מק"ט	מידות						עומסים [kgf]		טבעת פנימית	משקל [גרם]
		Fw		D		C		דינמי	סטטי		
		אינץ'	מ"מ	אינץ'	מ"מ	אינץ'	מ"מ	C	Co		
3/4	BA126ZOH	3/4	19.05	1	25.4	3/8	9.52	510	600	-	10
	BA128ZOH	3/4	19.05	1	25.4	1/2	12.7	700	890	IRB 88-1	13.5
	BA1210ZOH	3/4	19.05	1	25.4	5/8	15.88	970	1350	IRB 810-1	17
	BA1212ZOH	3/4	19.05	1	25.4	3/4	19.05	1220	1800	IRB 812-1	20.5
	BA1214ZOH	3/4	19.05	1	25.4	7/8	22.22	1450	2260	IRB 814-1	23.5
	BA1216ZOH	3/4	19.05	1	25.4	1	25.4	1660	2700	IRB 816-1	27
13/16	BA136ZOH	13/16	20.638	1 1/16	26.988	3/8	9.52	530	640	-	10.7
	BA138ZOH	13/16	20.638	1 1/16	26.988	1/2	12.7	730	960	IRB 98	14.5
	BA1310ZOH	13/16	20.638	1 1/16	26.988	5/8	15.88	1010	1450	IRB 910	18.2
	BA1312ZOH	13/16	20.638	1 1/16	26.988	3/4	19.05	1260	1940	IRB 912	22
	BA1314ZOH	13/16	20.638	1 1/16	26.988	7/8	22.22	1500	2430	IRB 914	25
	BA1316ZOH	13/16	20.638	1 1/16	26.988	1	25.4	1730	2910	IRB 916	28.5
	BA1320ZOH	13/16	20.638	1 1/16	26.988	1 1/4	31.75	2160	3890	IRB 920	35.5
7/8	BA146ZOH	7/8	22.225	1 1/8	28.575	3/8	9.52	550	690	IRB 106	11.5
	BA148ZOH	7/8	22.225	1 1/8	28.575	1/2	12.7	760	1030	IRB 108	15.6
	BA1412ZOH	7/8	22.225	1 1/8	28.575	3/4	19.05	1310	2080	IRB 1012	23.5
	BA1414ZOH	7/8	22.225	1 1/8	28.575	7/8	22.22	1560	2600	IRB 1014	27
	BA1416ZOH	7/8	22.225	1 1/8	28.575	1	25.4	1790	3110	IRB 1016	31
	BA1418ZOH	7/8	22.225	1 1/8	28.575	1 1/8	28.58	2020	3630	-	34.5
	BA1422ZOH	7/8	22.225	1 1/8	28.575	1 3/8	34.92	2450	4660	IRB 1022	42.5
15/16	BA158ZOH	15/16	23.812	1 3/16	30.162	1/2	12.7	820	1160	-	16.5
	BA1510ZOH	15/16	23.812	1 3/16	30.162	5/8	15.88	1120	1750	IRB 1110	20.5
	BA1516ZOH	15/16	23.812	1 3/16	30.162	1	25.4	1930	3500	IRB 1116	33
1	BA166ZOH	1	25.4	1 1/4	31.75	3/8	9.52	610	820	-	13.1
	BA167ZOH	1	25.4	1 1/4	31.75	7/16	11.13	790	1130	-	15.4
	BA168ZOH	1	25.4	1 1/4	31.75	1/2	12.7	840	1230	IRB 128	17.7
	BA1610ZOH	1	25.4	1 1/4	31.75	5/8	15.88	1160	1850	-	22
	BA1612ZOH	1	25.4	1 1/4	31.75	3/4	19.05	1450	2470	IRB 1212	26.5
	BA1614ZOH	1	25.4	1 1/4	31.75	7/8	22.22	1730	3100	IRB 1214	31
	BA1616ZOH	1	25.4	1 1/4	31.75	1	25.4	1980	3700	IRB 1216	35.5
	BA1620ZOH	1	25.4	1 1/4	31.75	1 1/4	31.75	2480	4950	IRB 1220	44
1 1/16	BA1710ZOH	1 1/16	26.988	1 5/16	33.338	5/8	15.88	1190	1950	-	23.5
	BA1716ZOH	1 1/16	26.988	1 5/16	33.338	1	25.4	2040	3900	-	37
1 1/8	BA186ZOH	1 1/8	28.575	1 3/8	34.925	3/8	9.52	650	910	-	14.5
	BA188ZOH	1 1/8	28.575	1 3/8	34.925	1/2	12.7	880	1360	IRB 148	19.5
	BA1812ZOH	1 1/8	28.575	1 3/8	34.925	3/4	19.05	1530	2750	IRB 1412	29.5
	BA1816ZOH	1 1/8	28.575	1 3/8	34.925	1	25.4	2090	4110	IRB 1416	39
	BA1820ZOH	1 1/8	28.575	1 3/8	34.925	1 1/4	31.75	2620	5490	IRB 1420	48.5
1 3/16	BA1910ZOH	1 3/16	30.162	1 1/2	38.1	5/8	15.88	1530	2300	-	32.5
	BA1916ZOH	1 3/16	30.162	1 1/2	38.1	1	25.4	2630	4620	-	52

OIL HOLE = OH קדח במעטפת הפח המשמש להעברת השימון